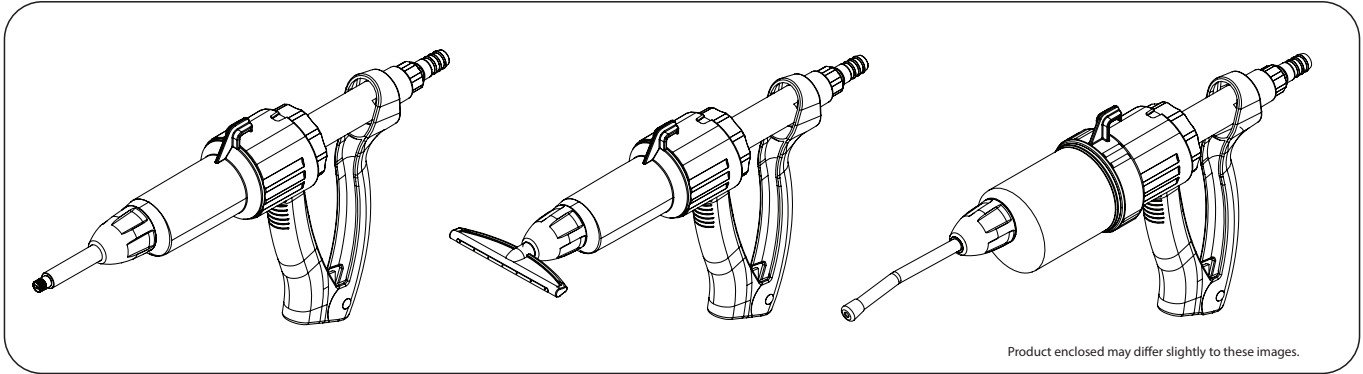


The Magnum

INSTRUCTION LEAFLET

Please read before use



WARNINGS:

- This applicator is designed for either the topical or oral treatment of animals. It should not be used for any other purpose.
- The operator should seek professional advice on the correct technique before using this applicator.
- The operator must take every precaution to avoid injury or contamination when using this applicator.
- Before use, ensure that the applicator is in good working order. Do not use it if a fault becomes apparent.
- To assist with proper use, the operator must follow the directions of this instruction leaflet.
- To ensure continued operation of the applicator, it must be fully cleaned at the conclusion of each working day.
- The applicator may cease to work correctly if it is not maintained according to the directions of this instruction leaflet.
- It is important that the operator reads and follows the directions on the label of the product about to be administered for use and safety instructions.

The manufacturer accepts no responsibility if this applicator is used in any way contrary to the information contained in this leaflet.

ISL Animal Health

Private Bag 3126, Hamilton 3240, New Zealand

Tel: +64 7 849 6018 Fax: +64 7 849 1414

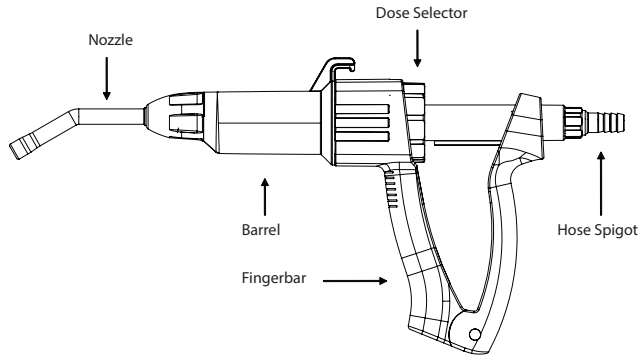
Email: sales@islanimalhealth.com

Web: www.islanimalhealth.com

ISO 9001 Certified Company



The Magnum



NOZZLE FITTING INSTRUCTIONS

1. To attach nozzle, insert through the nozzle cap.
2. Connect nozzle and nozzle cap to the barrel and screw on most of the way.
3. Position nozzle at preferred angle, then tighten cap down fully.

OPERATING INSTRUCTIONS

1. Connect applicator to the product pack by attaching a draw-off tube to the hose spigot.
2. Set applicator to the maximum dose or to the prime dose (P). To adjust, turn the dose selector.
3. To prime, hold the applicator with the nozzle pointing vertically upward. Squeeze the handles and then release to allow the barrel to fill with product. Repeat until all air is expelled from the barrel.
4. Rotate dose selector to the desired dose rate.

CLEANING INSTRUCTIONS

1. Remove the draw-off tube from the product pack.
2. Place the end of the tube into hot, soapy water and flush through the applicator until product is removed. Then flush with clean water.
3. Unscrew the barrel from the fingerbar. Soak the o-ring and felt washer on the piston with vegetable oil. (**DO NOT USE MINERAL OIL**)
4. Re-attach barrel to the fingerbar and store in a cool, dry place.