



Translated operating instructions

turbocut
SCHUSSAPPARATE

Cattle stunning apparatus

Blitz

DE-17-MARLIV18-PTB01

Calibre 9 x 17 mm – centre-fire
for turbocut Jopp livestock stun blanks

PTB
1011

Model range:

Bullen Blitz (BB-008)

Kleiner Blitz (KB-009)

Blitz Schlag (BS-010)

Blitz Kerner (BK-014)



Important note!

Read all chapters and instructions in these operating instructions carefully before first use. Always keep this important document safely with the cattle stunning apparatus.



Attractive price for:

Cattle stunning apparatuses • Blank cartridges • Spare parts

more features: Long service life • Simple handling • Safe stunning

Tel.: +49 (0) 9771 / 9105-328

Fax: +49 (0) 9771 / 9105-368

Internet: www.schussapparate.de

E-Mail: info@turbocut.de

turbocut Jopp GmbH

Donsenhausg 4

D-97616 Bad Neustadt



Viehschussapparate / cattle stunning apparatus / l'appareil d'abattage

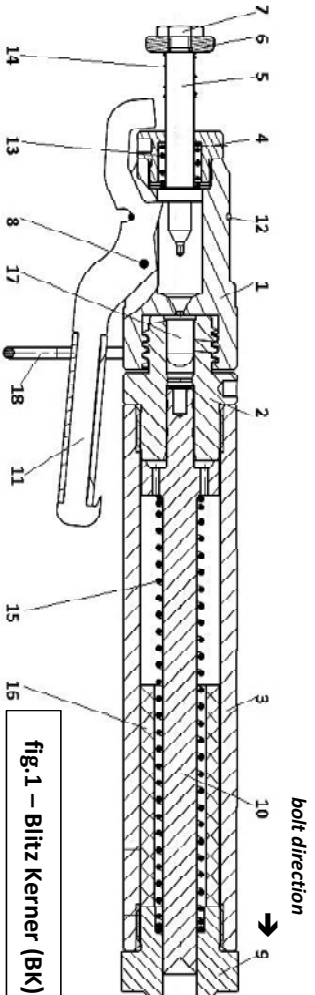


fig.1 – Blitz Kerner (BK)

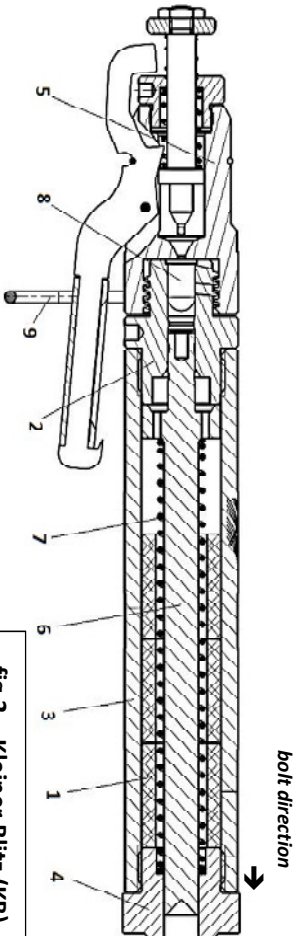


fig.2 – Kleiner Blitz (KB)

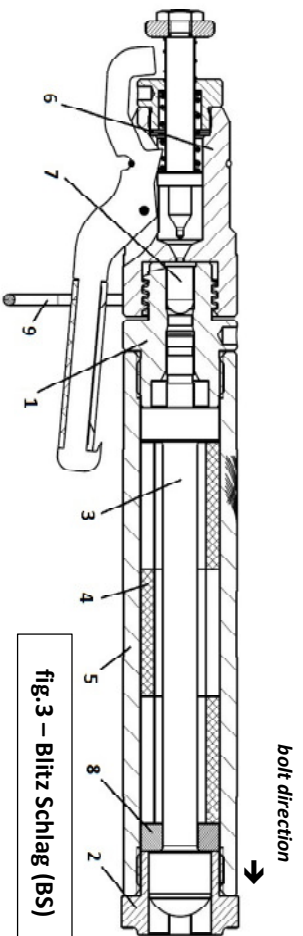


fig.3 – Blitz Schlag (BS)

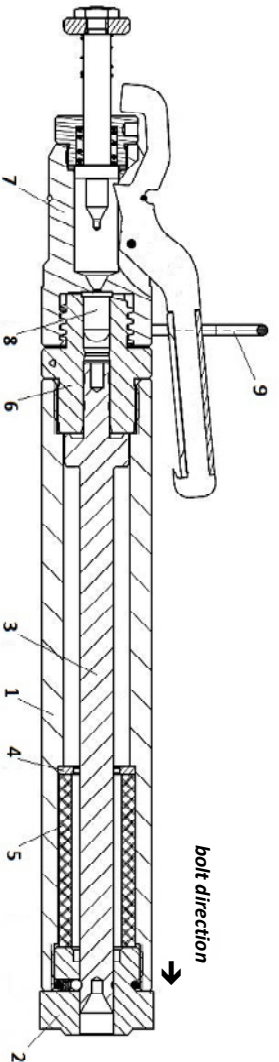


fig.4 – Bullen Blitz (BB)

Blitz Cattle stunning apparatus



Please ensure that you read through these operating instructions (Dated: 08/2018) before initial commissioning!



Please read through the safety instructions carefully to ensure safe and correct use. Always keep these operating instructions safely with the cattle stunning apparatus. Pass the cattle stunning apparatus on only to other trained personnel and only along with these operating instructions.

For further information, please scan this QR code






You will find several translations of this instruction manual as well as further information on our homepage www.schussapparate.de

Contents


1.	General information	Page 4
2.	Description and correct use	Page 5
3.	Blank cartridges and their storage	Page 6
4.	Accessories and wearing parts	Page 6-7
5.	Technical data	Page 7
6.	Safety instructions	Page 8-9
7.	Commissioning	Page 9
8.	Using the device	Page 10-13
9.	Maintenance and care	Page 14
10.	Troubleshooting	Page 15
11.	Official safety instructions	Page 16
12.	Test specifications and repeat testing	Page 16
13.	Disposal	Page 16
14.	Manufacturer warranty	Page 17
15.	EC declaration of conformity	Page 18-21
16.	Spare parts and individual parts	Page 22-23
17.	For your notes	Page 24
18.	Important information on purchase certificate	Page 25
19.	Purchase certificate	Page 26

1. General information

Please ensure that you read through these translated operating instructions before initial commissioning!

Signal words and their meanings		
Severity of the hazard / warning stage	Consequence	Probability
 DANGER	Death or severe, irreversible injuries	Directly impending danger
 WARNING	Death or severe, irreversible injuries	Potentially hazardous situation
 CAUTION	Slight or minor, reversible injuries	Potentially hazardous situation
NOTE	Property damage	Potentially hazardous situation

1.1 Pictograms

	 	 	
Caution	Hot surface / Warning - explosive atmosphere	Wear hearing protection / Use hand protection	Observe operating instructions

In this text, the term "the device" refers in all instances and exclusively to the respective variant of the Blitz cattle stunning apparatus.

The cattle stunning apparatuses are officially certified under:

DE-17-MARLIV18-PTB01

1.2 Location of the identification details on the device.

Headpiece: Production year, serial number

Sleeve: Manufacturer, model range, production year, serial number, product name, ammunition type

1.3 Copy the following information into your operating instructions and **always** quote this with enquiries or when submitting for repeat checking:

Model range:

Production year:

Serial number:

2. Description and proper intended use

The Blitz cattle stunning apparatuses shall be used exclusively for the stunning of animals for slaughter. Any use other than this is considered improper use. The EU animal protection ordinance 1099/2009 and the applicable national regulations shall be observed by the operator.

The device is subject to the EC Machinery Directive 2006/42/EC Annex 1, Point 2.2.2 "Portable fastening devices and other firing devices".

The device is to be stored such that it is secured against unauthorised use.

After igniting the propellant charge in the cartridge receiver (centre-fire), the bolt accelerates, projects a defined distance out of the sleeve and is then withdrawn back into the housing whereupon it remains in the device.

Calibre 9x17, centre-fire cartridges shall be used exclusively as the propellant device. **For safe use, the cartridges used in this device must fulfil the requirements of the corresponding C.I.P. approvals testing.** For optimum results, we recommend the use of turbocut blank cartridges or products of equivalent quality.

Functional principles of the cattle stunning apparatus

The energy of the blank cartridge is transferred to the bolt thus accelerating it so that it penetrates the brain of the animal through the skullcap. The integrated bolt spring and the rubber buffer brakes the bolt back to a standstill and pushes it back into the device. To achieve optimum results and to protect the device, the energy of the blank cartridge is tailored to the animal (see chapter 3 - Blanks cartridges). With the Bullen Blitz model range, there is no bolt spring. A retaining system is used in this case. This model range was specially developed for the heaviest animals. The device has a larger projection length for the bolt than the other cattle stunning apparatuses.

With the Blitz Schlag model range, the method used is the application of a percussive blow to the head. This device is designed exclusively for stunning poultry.

You can find further information under www.schussapparate.de!

For further
information, please
scan this QR code



3. Blank cartridges and their storage

The cattle stunning apparatuses have been specially developed for the centre-fire cartridges (9x17 calibre, folded closed and sealed watertight) - only these cartridges are permitted to be used!

The blank cartridges are available in four different charge levels for the different types of animals. Particular care should be taken with the respective selection in accordance with the type of animal and the size of animal. The selection of the correct charge level for the respective animal ensures species-appropriate stunning and helps to reduce the wear on the bolt spring and rubber buffer. The printed information, the colour of the label and the colour of the percussion cap indicates the charge level of the blank cartridges.

Cartridge recommendation:

Cartridge	Charge level	Model range	Type of animal
Green	Weak	Blitz Kerner	Piglets (more than 5kg – 30kg), Pigs, young sheep (up to 1 yr.), calves
		Kleiner Blitz	Piglets (up to 5 kg), lambs, kids (young goats)
		Blitz Schlag	Poultry
Yellow	Medium	Blitz Kerner	Sheep and goats (from 1 yr.), cattle, light oxen
Blue	Strong	Blitz Kerner	Medium oxen and young bulls
Red	Very Strong	Blitz Kerner	Horses, heaviest oxen and fully grown bulls
		Bullen Blitz	

The cattle stunning apparatus can be guaranteed to operate properly if blank cartridges and spare parts that are tested and approved by us are used. Blank cartridges and spare parts can be re-ordered via your specialist dealer or via our online shop: www.messer-lochscheiben-shop.de

The blank cartridges should be stored in a dry location and protected from unauthorised use. They should be stored exclusively in the original manufacturer's packaging.

You can find further information at www.schussapparate.de!

4. Accessories and wearing parts

Blank cartridges

Art. number

3072002

3072001

3072004

3072003

Designation

Blank cartridge, green (weak charge)

Blank cartridge, yellow (medium charge)

Blank cartridge, blue (strong charge)

Blank cartridge, red (very strong charge)

Set

Art. number

3080222
3080231
3080228
3080292
3080277
3080280

Designation

Striking pin complete
Cleaning-Set
Replacement-Set for Blitz Kerner
Replacement-Set for Blitz Schlag
Replacement-Set for Kleiner Blitz
Replacement-Set for Bullen Blitz

5. Technical data

Technical data / model range	Blitz Kerner - BK	Bullen Blitz - BB	Kleiner Blitz - KB	Blitz Schlag - BS
Type of penetration	Penetrating	Penetrating	Penetrating	Non-penetrating
Bolt projection length	ca. 82 mm	ca. 122mm	ca. 52mm	ca. 10mm
Weight without cartridge	2.21 kg	2.60kg	2.23kg	2.25kg
Device length in uncocked state	330 mm	360mm	330 mm	330 mm
Sleeve diameter	40mm			
Max. firing frequency	17 shots/h			
Blank cartridges, centre-fire, calibre	9x17 mm			
Power regulation (strength)	1-4*	4*	1*	1*

*) 1=green cartridge, 2=yellow cartridge, 3=blue cartridge, 4=red cartridge

Acoustic measurement for fastener driving devices GK2 German version EN 12549:1999+A1:2008 Red cartridge (460mg propellant powder)	
Noise pressure level at measurement surface	98 dB(A)
Emitted noise pressure at workplace (max. 17 shots/h)	82 dB(A)
Sound power level	111 dB(A)
Peak noise pressure level	139 dB(A)

Key parameters per EC 1099/2009 Speed ± 2 m/s for cartridges:				
Cartridge charge level / model range	Blitz Kerner - BK	Bullen Blitz - BB	Kleiner Blitz - KB	Blitz Schlag - BS
Green	42 m/s	/	42 m/s	20 m/s
Yellow	46 m/s	/	/	/
Blue	47 m/s	/	/	/
Red	49 m/s	49 m/s	/	/

Vibration measurement with red cartridge (460mg powder) per DIN EN ISO 5349-1, 20643 and DIN ISO/TS 15694 and 8662-11	
Total vibration at 17 shots/h	2.5 m/s ²

6. Safety instructions

6.1 Basic safety information

Observe the applicable national and international regulations as a matter of principle. Failure to comply with or disregard of the regulations or legal provisions and accident prevention regulations can result in personal injuries, injuries to others and property damage. Observe the safety instructions in these operating instructions at all times.

6.2 Cartridges that fail to fire

If a cartridge fails to fire, wait at least 30 seconds before removing the cartridge in order to rule out a delay in the firing of the cartridge.

6.3 Improper use



It is **not permitted to carry out modifications** to the devices. It is forbidden to operate the cattle stunning apparatuses in potentially explosive atmospheres or flammable atmospheres.



Observe the information for operation, maintenance and care in these operating instructions. Never direct the device towards yourself or other persons. Do not press the device against your hand or other parts of the body. Ensure that the device is not fired when it is not pressed against an appropriate target.

6.4 Latest engineering practice

The cattle stunning apparatus been constructed in accordance with the latest engineering practice.

Any device can present a hazard if handled improperly or used for purposes other than its proper intended purpose.

6.5 Appropriate use and environment



Ensure there is good lighting (observe workplace regulations).

The device shall only be used when held in the hand.

Ensure that you have a secure footing and that you are well balanced.

Avoid unusual postures.

Keep other people away from the working area.

Keep the sleeve dry, clean and free of oil and grease.

6.6 General hazards caused by the device



The device may only be used when in flawless condition and in accordance with its intended purpose. Never leave a loaded device unsupervised. Always unload the device before cleaning and maintenance tasks as well as before storage.

Unused cartridges and devices that are not currently in use must be stored protected from moisture and excessive heat.

The device and the cartridges are to be stored such that they are secured against unauthorised use.

6.7 Thermal hazard



Do not exceed the stipulated max. firing frequency (number of shots per hour = 17), as otherwise this could result in burns.

Do not dismantle the device when it is hot!

6.8 Requirements for the user and personnel restrictions

The device is intended for use by adults and professional users.

It is forbidden to pass the device on to minors. Butchers' trainees are an exception to this. Keep the device away from children and never leave it unsupervised. The device shall be operated and cleaned exclusively by authorised and trained personnel. Always pay careful attention when working. Work deliberately and do not use the device if you are not able to concentrate or if you are distracted. Interrupt the work if you feel unwell. Observe the animal closely and take evasive movements into account.

6.9 Personal protective gear



The user and any other persons who are in the immediate vicinity must wear hearing protection whilst the device is being used.

7. Commissioning

The animal protection order for animal slaughter stipulates that the correct function of the cattle stunning apparatus must be checked at least once before the start of work.

7.1 Check device (before and after each use).

Ensure that there is no blank cartridge in the cartridge receiver. The active parts shall exhibit no corrosion! Check the position of the bolt. To do so, hold the device vertically with the exit opening downwards. The bolt must be at least 4 mm inside the sleeve and must hold itself in place there (see troubleshooting). Check the rubber buffer and the bolt spring for wear. The lock must be screwed in flush with the sleeve.

7.2 Alternatives

Test the device with a test block and/or a speed measurement device, and document this test.

8. Using the device



Read through these operating instructions carefully before initial commissioning and use figures 1 - 4 on the second page for better understanding.



Use hearing protection (user and persons in the vicinity). Noises that are too loud can damage your hearing.

Please check that the cattle stunning apparatus is complete and that it is functioning properly and operationally capable before use!



Never direct the device towards yourself or other persons! Watch out for evasive movements by the animal!

8.1

Loading

Unscrew the headpiece counter-clockwise, insert a blank cartridge (calibre 9x17 centre-fire) with the percussion cap (coloured point) upwards, into the intermediate piece. Screw the headpiece on fully, clockwise, hand-tight. Ensure that the annular spring is not twisted. The opening of the annular spring must lie opposite the trigger!

8.2. Cocking

Pull the striking pin out by the striking pin nut until the trigger can be heard latching into place. **The cattle stunning apparatus is now ready to fire.**

When loading the blank cartridge and cocking the striking pin, the device must be held such that it is not directed towards operator's own body or other people.



The striking pin shall only be cocked immediately before firing!

The device shall not be held by the muzzle. As a matter of principle, never hold the bottom end of the device (where the bolt emerges) against the body – even when looking for potential faults (see troubleshooting).

If a loaded cattle stunning apparatus is not to be fired immediately, it should be unloaded again!

8.3 Firing

To fire the device, hold it with the guiding hand wrapped securely around it and position the lock against the skull of the animal. The shot is fired by pressing on the trigger with the index finger – press all the way down.

Figures 5-11 on pages 12 and 13 show the positions where the cattle stunning apparatus must be applied for the individual types of animal.

The cattle stunning apparatus is to be applied to the weakest point of the skullcap, as close to perpendicular as possible. It is essential that the device is not tilting when fired as otherwise; the bolt could become jammed in the cranial bone and not be able to be withdrawn by the bolt return spring.

Ensure that the device is not fired when not pressed against an appropriate target.



Always fire test shots only into adequately strong and firmly mounted wooden supports (square timber min. 10cm x 10cm).

In the event of ammunition failing, the triggering mechanism must be actuated again after approx. 30 seconds. If there is still no ignition, please unscrew the headpiece completely and remove the ammunition carefully by means of the trigger.



The striking pin must not be cocked at this time.

Testing the striking pin: If the headpiece is unscrewed, ensure that the tip of the striking pin does not project out of the headpiece as otherwise this could result in premature firing when it is screwed back on again. If the striking pin is defective, this can only be replaced as a complete unit. To do so, order a complete striking pin set.



Maintenance work shall be carried out exclusively by the manufacturer or their authorised representatives unless the user is installing only parts designated as replacement parts (see accessories and wearing parts) by the manufacturer within the scope of their maintenance work.



8.4 Removing the fired blank cartridges

After unscrewing the headpiece, the blank cartridge casing can usually be easily removed with the fingers. If the blank cartridge is jammed, this can be removed with the extractor located at the end of the trigger by hooking it into the groove on the intermediate piece (cartridge receiver). The cartridge receiver should then be immediately cleaned of any powder residue and other contaminants with the small brush.

Fig. 5
Pigs/
Piglets

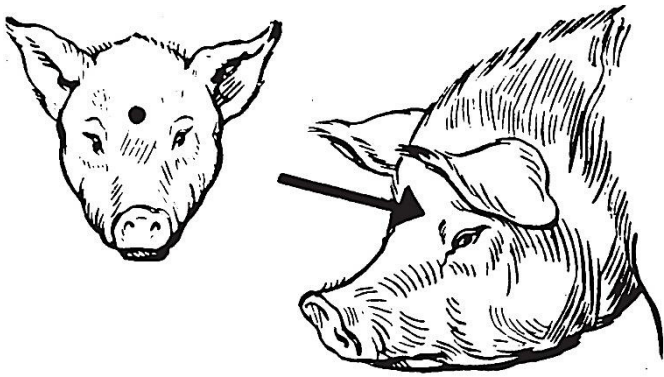


Fig. 6
Sheep

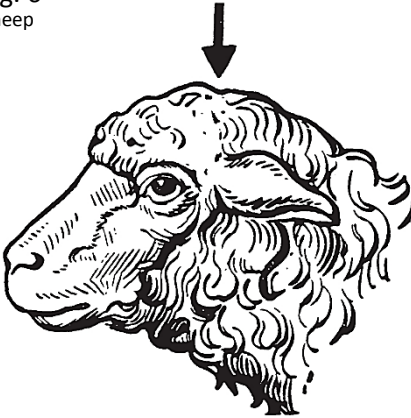


Fig. 7
Calves



Fig. 8
Bulls

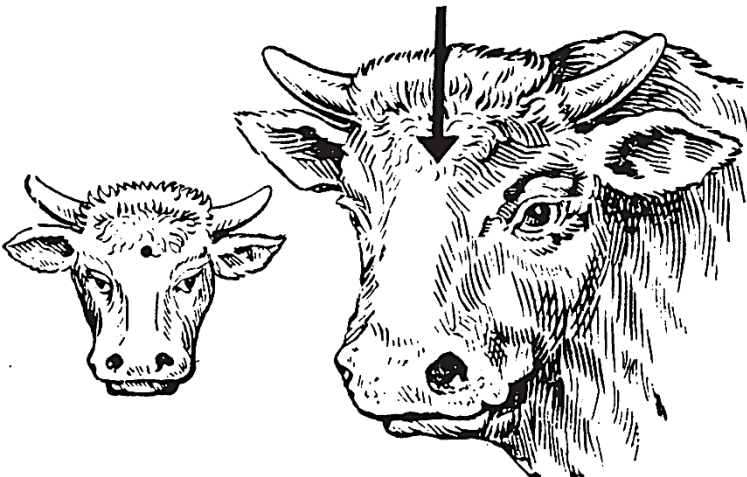


Fig. 9
Horses

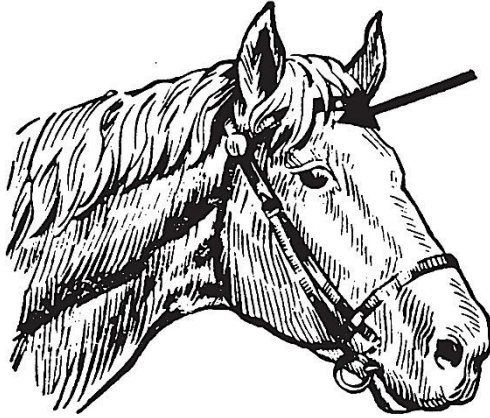


Fig. 10
Poultry

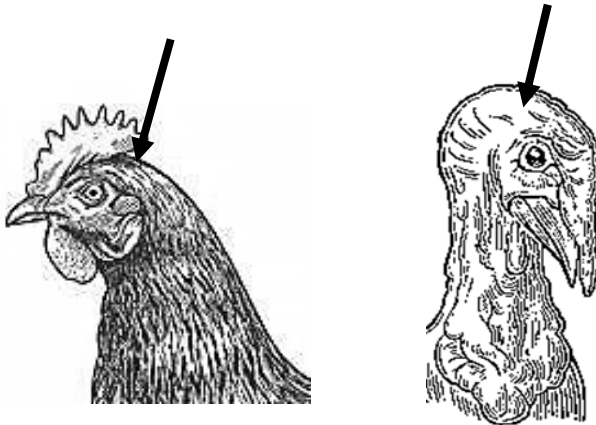


Fig. 11
Goats



9. Maintenance and care

The cattle stunning apparatus should be carefully cleaned after each use to remove powder residue and prevent corrosion. In certain circumstances, this can result in functional faults and damage. With all cleaning work, observe the corresponding hazardous substances ordinance with regard to the labelling and instructions for the materials used.

The maintenance and repair shall be carried out only by capable, authorised and trained personnel! Use of original parts is always essential to ensure that the safety of the device is maintained!

Procedure for maintenance and care (observe sketches on page 2, fig. 1-4)



- Use hand protection (in order to prevent contact reactions)
- Unscrew headpiece in unloaded condition
- Unscrew lock
- Remove bolt spring (only with BK and KB models), rubber buffer and bolt

Carefully clean the interior walls of the sleeve, the bolt, the bore of the intermediate piece, the exterior of the cattle stunning apparatus and all of the other parts, with the brushes screwed onto the cleaning rod. Coarse deposits and dirt should be wiped off beforehand with oil (e.g. Ballistol). Check the bolt in particular for corrosion as rust will reduce the firing force and could result in embrittlement or hairline cracks. If the bolt is corroded this must be replaced.

The dried parts should be lightly oiled with machine oil. Keep the rubber buffer free of oils. Check the rubber buffer and the bolt spring for damage and wear. **With the Kleiner Blitz and Blitz Schlag models, the position of the rubber buffers should be swapped after every cleaning in order to guarantee the longest possible service life.** Re-insert the bolts, rubber buffers and bolt springs in this order again and screw the lock flush against the sleeve. The bolt must be at least 3 - 4 mm from the lock. It is likewise recommended that the headpiece is washed in cleaning oil without being dismantled and then lightly oiled with machine oil.

Check the correct function of the device by feeding the cleaning rod provided into the empty intermediate piece and pressing the bolt out against the force of the spring (only with models BK and KB). The bolt must then protrude from the bottom end of the device and must be fully retracted into it again when the cleaning rod is withdrawn.

10. Troubleshooting

Cartridge does not fire

Carefully loosen the headpiece ca. 2 turns and remove the cartridge after 30 seconds.

Check striking pin and the tip in particular, for deformation or contamination.

However, most often the cause of the fault lies with the blank cartridge.

Moisture can result in a complete failure – or also a significant reduction in performance. Check the blank cartridge for corrosion and check the impression of the striking pin tip on the percussion cap.

Unclear situation:

The cattle stunning apparatus must be sent in to turbocut for testing.

Bolt does not strike through deeply enough

Check whether the correct blank cartridge charge level has been selected and check whether the interior of the device is badly contaminated. In the latter case, clean thoroughly.

It must be possible to move the bolt backwards and forwards easily after removing the bolt spring and the rubber buffer.

Hold the cattle stunning apparatus vertically with the exit opening downwards. The bolt must be 4 mm inside the sleeve and must hold itself in place there. If it reaches the edge of the exit opening or if it is already protruding from it, the rubber buffer and the bolt spring must be replaced immediately (replacement-set). An evasive movement by the animal or inadequately firm positioning of the cattle stunning apparatus on the head of the animal can result in a failed shot.

The bolt does not spring back

The device was tilted when fired resulting in the bolt becoming jammed in the skull. The bolt spring and/or rubber buffer could be worn. Components must be replaced (replacement-set can be ordered).

Bolt spring and rubber buffer wear prematurely

This is often caused by the use of more powerful blank cartridges than stipulated. This can also be an indication of unsuitable ammunition being used. Change the cartridge to one appropriate for the type of animal.

Trigger cannot be moved

The annular spring has twisted. The opening of the annular spring must always be opposite the trigger.

The trigger mechanism is defective or the trigger is deformed. Send the device in to turbocut for checking immediately.

11. Official safety instructions

For the operation of the Blitz cattle stunning apparatus, the respective valid version of the accident prevention regulation "Working with shooting devices" (DGUV regulation 56) from the employers' mutual insurance association must be precisely observed and taken into account.

The device and the blank cartridges must be stored safely, protected from unauthorised use.

It is not permitted to carry out modifications to the cattle stunning apparatuses!

12. Test specifications and repeat testing

Within the scope of the applicability of the industrial safety regulations, the operator of a cattle stunning apparatus must submit the device to the manufacturer or their appointed representative for checking within 2 years, rounded up to the end of the month, or immediately in the case of significant functional defects. The period for the first repeated check starts with the shipping of the cattle stunning apparatus to the operator. The start of this period should be verified through a purchase certificate, which the manufacturer or dealer will have enclosed when handing over each cattle stunning apparatus.

13. Disposal

The Blitz cattle stunning apparatuses from turbocut Jopp GmbH are manufactured with a high proportion of recyclable materials. Prerequisite for recycling is that materials have been properly separated. If the device is submitted for material separation, dismantle the device insofar as this is possible without special tools.

Separation of the individual parts:

Component

Rubber buffer

Trigger clip

All other components

Main material

Elastomer

Plastic

Steel

Recycling

Household waste

Plastic recycling

Scrap metal



14. Manufacturer warranty

The turbocut Jopp GmbH guarantees that your cattle stunning apparatuses are free of material and manufacturing defects. This warranty applies with the prerequisite that the device is properly used, handled, cared for and cleaned in accordance with these operating instructions and that the technical unit is looked after. This means that only original consumables, accessories and spare parts or other products of equivalent quality are used with the cattle stunning apparatus. This warranty encompasses repair or replacement of defective parts free-of-charge throughout the complete service life of the device. Parts that are subject to normal wear, for example the rubber buffer and the bolt spring are not covered by this warranty.

Further claims are excluded insofar as this does not contravene any mandatory national or international regulations. In particular, turbocut Jopp GmbH shall not be liable for direct or indirect defects or consequences of defects, losses or costs in conjunction with the use of the cattle stunning apparatus for any purpose whatsoever. Implied assurance for the use or suitability for a particular purpose is expressly excluded.

The cattle stunning apparatus and/or affected parts must be returned to the manufacturer or their appointed representative for repair or replacement immediately after discovery of a defect.

This warranty declaration encompasses all warranty obligations on the part of turbocut Jopp GmbH for the Blitz cattle stunning apparatuses and replaces all earlier or simultaneous declarations, written or verbal agreements with regard to warranty services.

C.I.P. Test verification

The Blitz cattle stunning apparatuses from turbocut Jopp GmbH are type-approved and system-tested. For this reason, the device is furnished with a PTB approval number and is registered with the nominated authority under:

DE-17-MARLIV18-PTB01

With this, the turbocut Jopp GmbH guarantees the compliance of each cattle stunning apparatus with the approved design style.

Impermissible defects discovered during use are to be reported to the responsible manager of the approvals authority (PTB) as well as the office of the permanent international commission (C.I.P.).

15. EC declaration of conformity for Blitz Kerner (translation)

We, the manufacturer:

turbocut Jopp GmbH
Donsenhaug 4
D-97616 Bad Neustadt
Tel.: +49 (0) 9771 / 9105-328
Fax: +49 (0) 9771 / 9105-368
Internet: www.schussapparate.de
email: info@turbocut.de

hereby declare that the Blitz cattle stunning apparatus manufactured by us with the model designation **BK-014** cited on the device, complies with the following directives:

2006/42/EC Directive 2006/42/EC of the European Parliament and Council from the 17th May 2006 regarding machinery and the amendment to Directive 95/16/EC (new version) (1)

The office designated for data EC type approval test is:

Physikalisch Technische Bundesanstalt
Bundesallee 100
D-38116 Braunschweig

Identification number for the designated authority: 0102
EC type test certificate: DE-17-MARLIV18-PTB01

With the manufacturing of the product, the following harmonised standards were applied in accordance with the directive per article 7 section 2:

DIN EN ISO 12100:2011-03 Safety of machinery – General design principles – Risk assessment and risk reduction (ISO 12100:2010)

The authorised representative at turbocut Jopp GmbH for compiling the technical documentation is:

Dr. Hubert P. Büchs
Donsenhaug 4
D-97616 Bad Neustadt


Dr. Hubert P. Büchs
Managing Director

Bad Neustadt, den 22.03.2018

15. EC declaration of conformity for Blitz Schlag (translation)

We, the manufacturer:

turbocut Jopp GmbH
Donsenhaug 4
D-97616 Bad Neustadt
Tel.: +49 (0) 9771 / 9105-328
Fax: +49 (0) 9771 / 9105-368
Internet: www.schussapparate.de
email: info@turbocut.de

hereby declare that the Blitz cattle stunning apparatus manufactured by us with the model designation **BS-010** cited on the device, complies with the following directives:

2006/42/EC Directive 2006/42/EC of the European Parliament and Council from the 17th May 2006 regarding machinery and the amendment to Directive 95/16/EC (new version) (1)

The office designated for data EC type approval test is:

Physikalisch Technische Bundesanstalt
Bundesallee 100
D-38116 Braunschweig

Identification number for the designated authority: 0102
EC type test certificate: DE-17-MARLIV18-PTB01

With the manufacturing of the product, the following harmonised standards were applied in accordance with the directive per article 7 section 2:

DIN EN ISO 12100:2011-03 Safety of machinery – General design principles – Risk assessment and risk reduction (ISO 12100:2010)

The authorised representative at turbocut Jopp GmbH for compiling the technical documentation is:

Dr. Hubert P. Büchs
Donsenhaug 4
D-97616 Bad Neustadt



Dr. Hubert P. Büchs

Managing Director

Bad Neustadt, den 22.03.2018

15. EC declaration of conformity for Kleiner Blitz (translation)

We, the manufacturer:

turbocut Jopp GmbH
Donsenhaug 4
D-97616 Bad Neustadt
Tel.: +49 (0) 9771 / 9105-328
Fax: +49 (0) 9771 / 9105-368
Internet: www.schussapparate.de
email: info@turbocut.de

hereby declare that the Blitz cattle stunning apparatus manufactured by us with the model designation KB-009 cited on the device, complies with the following directives:

2006/42/EC Directive 2006/42/EC of the European Parliament and Council from the 17th May 2006 regarding machinery and the amendment to Directive 95/16/EC (new version) (1)

The office designated for data EC type approval test is:

Physikalisch Technische Bundesanstalt
Bundesallee 100
D-38116 Braunschweig

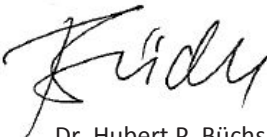
Identification number for the designated authority: 0102
EC type test certificate: DE-17-MARLIV18-PTB01

With the manufacturing of the product, the following harmonised standards were applied in accordance with the directive per article 7 section 2:

DIN EN ISO 12100:2011-03 Safety of machinery – General design principles – Risk assessment and risk reduction (ISO 12100:2010)

The authorised representative at turbocut Jopp GmbH for compiling the technical documentation is:

Dr. Hubert P. Büchs
Donsenhaug 4
D-97616 Bad Neustadt



Dr. Hubert P. Büchs
Managing Director

Bad Neustadt, den 22.03.2018

15. EC declaration of conformity for Bullen Blitz (translation)

We, the manufacturer:

turbocut Jopp GmbH
Donsenhaus 4
D-97616 Bad Neustadt
Tel.: +49 (0) 9771 / 9105-328
Fax: +49 (0) 9771 / 9105-368
Internet: www.schussapparate.de
email: info@turbocut.de

hereby declare that the Blitz cattle stunning apparatus manufactured by us with the model designation **BB-008** cited on the device, complies with the following directives:

2006/42/EC Directive 2006/42/EC of the European Parliament and Council from the 17th May 2006 regarding machinery and the amendment to Directive 95/16/EC (new version) (1)

The office designated for data EC type approval test is:

Physikalisch Technische Bundesanstalt
Bundesallee 100
D-38116 Braunschweig

Identification number for the designated authority: 0102
EC type test certificate: DE-17-MARLIV18-PTB01

With the manufacturing of the product, the following harmonised standards were applied in accordance with the directive per article 7 section 2:

DIN EN ISO 12100:2011-03 Safety of machinery – General design principles – Risk assessment and risk reduction (ISO 12100:2010)

The authorised representative at turbocut Jopp GmbH for compiling the technical documentation is:

Dr. Hubert P. Büchs
Donsenhaus 4
D-97616 Bad Neustadt


Dr. Hubert P. Büchs
Managing Director

Bad Neustadt, den 22.03.2018

16. Spare parts and individual parts

Blitz Kerner cattle stunning apparatus, Art.3071014 (see pg. 2, fig. 1)

<u>Item</u>	<u>Article number</u>	<u>Designation</u>
1	3080269	Headpiece
2	3080261	Intermediate piece
3	3080282	Sleeve
4	3080145	Headpiece nut
5	3080146	Striking pin
6	3080174	Striking pin nut
7	3080148	Counter nut
8	3080149	Trigger handle
9	3080157	Lock
10	3080225	Bolt
11	3080226	Trigger
12	3086084	Annular spring
13	3086085	Striking pin spring
14	3086086	Counter striking pin spring
15	3086085	Bolt spring
16	3086088	Rubber buffer
17	-	Livestock stun blank, calibre 9x17
18	3080264	Safety bar

Bullen Blitz cattle stunning apparatus, Art.3071008 (see pg. 2, fig. 4)

<u>Item</u>	<u>Article number</u>	<u>Designation</u>
1	3080288	Sleeve
2	3080279	Lock, complete
3	3080272	Bolt
4	3080278	Distance plate
5	3080271	Rubber buffer
6	3080261	Intermediate piece
7	3080260	Headpiece, complete
8	-	Livestock stun blank, calibre 9x17
9	3080264	Safety bar

Kleiner Blitz cattle stunning apparatus, Art.3071009 (see pg. 2, fig. 2)

<u>Item</u>	<u>Article number</u>	<u>Designation</u>
1	3080270	Rubber buffer (3x)
2	3080251	Intermediate piece
3	3080286	Sleeve
4	3080157	Lock
5	3080260	Headpiece, complete
6	3080225	Bolt
7	3086087	Bolt spring
8	-	Livestock stun blank, calibre 9x17
9	3080264	Safety bar

Blitz Schlag cattle stunning apparatus, Art.3071010 (see pg. 2, fig. 3)

<u>Item</u>	<u>Article number</u>	<u>Designation</u>
1	3080251	Intermediate piece
2	3080253	Lock
3	3080254	Bolt hammer
4	3080290	Rubber buffer (3x)
5	3080284	Sleeve
6	3080260	Headpiece, complete
7	-	Livestock stun blank, calibre 9x17
8	3080291	Distance plate (2x)
9	3080264	Safety bar

17. For your notes:

Blitz cattle stunning apparatus

Calibre 9 x 17 mm

DE-17-MARLIV18-PTB01

Important information purchase certificate

The operator of a cattle stunning apparatus must submit the device to the manufacturer or their appointed representative for checking within 2 years, rounded up to the end of the month, or immediately in the case of significant functional defects.

The period for the first repeated check starts with the shipping of the cattle stunning apparatus to the operator. The start of this period should be verified through a purchase certificate (see reverse page), which the manufacturer or dealer will have enclosed when handing over each cattle stunning apparatus.

To ensure that you do not miss the first appointment, we recommend that you keep this certificate stored safely with your schedule documents.

The operating instructions must be observed and must be kept safely with the cattle stunning apparatus throughout the entire period of its use.

It is not permitted carry out modifications to the cattle stunning apparatus!

Never direct the device towards yourself or other persons!

The device and the blank cartridges are to be stored in a dry location and in such a way as to ensure that they are secured against unauthorised use!

turbocut Jopp GmbH
Donsenhaus 4
D – 97616 Bad Neustadt

Tel.: + 49 (0) 9771 / 9105-328
Fax: + 49 (0) 9771 / 9105-368

Internet: www.schussapparate.de
email: info@turbocut.de

You can access our internet shop directly here www.messer-lochscheiben-shop.de

Simply scan this QR code



PURCHASE CERTIFICATE

To verify the start of the period in accordance with the manufacturer's instructions.

The turbocut Jopp GmbH Blitz cattle stunning apparatus

Model range _____

Apparatus number _____

was shipped on the _____

by the company _____

to _____

Receipt or invoice number _____

Date for repeat testing

Company name, date, signature