

# **32KG WALK-BEHIND SPREADER**



**Instruction & Assembly**

General Warnings and Rules .....	3
Hazard Signal Word Definitions .....	4
Controls and Features Identification .....	5
Component & Hardware.....	6, 7
Assembly Instructions .....	8, 9 10, 11,12,13
Operation Instructions .....	14, 15,16
Spreading Instructions .....	17
Maintenance and Storage .....	18
Specification .....	18
Parts Drawing & Parts List .....	19, 20



## GENERAL WARNINGS



### READ and UNDERSTAND this manual completely before using Push Spreader.

Operator must read and understand all safety and warning information, operating instructions, maintenance and storage instructions before operating this equipment. Failure to properly operate and maintain the push spreader could result in serious injury to the operator or bystanders.

#### Operation Warnings

- Do not at any time carry passengers sit or stand on the spreader.
- Do not allow children to play on, stand upon or climb in the spreader.
- Always inspect the spreader before using to assure it is in good working condition.
- Replace or repair damaged or worn parts immediately.
- Always check and tighten hardware and assembled parts before operation.
- Do not exceed equipment maximum load capacity of 32KG.
- Avoid large holes and ditches when transporting loads.
- Be careful when operating on steep grades (hill) the spreader may tip over.
- Do not push close to creeks, ditches and public highways.
- Do not use spreader on windy days when spreading grass seed or herbicides.
- Always use caution when loading and unloading spreader.
- Never tow the spreader with a motorized vehicle.

#### Crush and Cut Hazards

- Always keep hands and feet clear from moving parts while operating the equipment.
- Always clear and keep work area clean when operating.
- Always wear safety gear, eye protection, gloves and work boots when operating the spreader.






#### **WARNING**

The warnings, cautions, and instructions outlined in this instruction manual cannot cover all possible conditions or situations that may occur. It must be understood by the operator that common sense and caution are factors which cannot be built into this product and must be supplied by the operator.

#### Assembly Is Required

This product requires assembly before use. See "Assembly" section for instructions. Because of the weight and/or size of the push spreader, it is recommended that another adult be present to assist with the assembly. **INSPECT ALL COMPONENTS** closely upon receipt to make sure no components are missing or damaged.

# Hazard Signal Word Definitions

	<p>This is the safety alert symbol. It is used to alert you to potential personal injury hazards. Obey all safety messages that follow this symbol to avoid possible injury or death.</p>
	<p><b>DANGER</b> indicates an imminently hazardous situation which, if not avoided, will result in death or serious injury.</p>
	<p><b>WARNING</b> indicates a potentially hazardous situation which, if not avoided, could result in death or serious injury.</p>
	<p><b>CAUTION</b> indicates a potentially hazardous situation which, if not avoided, may result in minor or moderate injury.</p>
	<p><b>CAUTION</b> used without the safety alert symbol indicates a potentially hazardous situation which, if not avoided, may result in property</p>

## ABOUT YOUR PUSH SPREADER

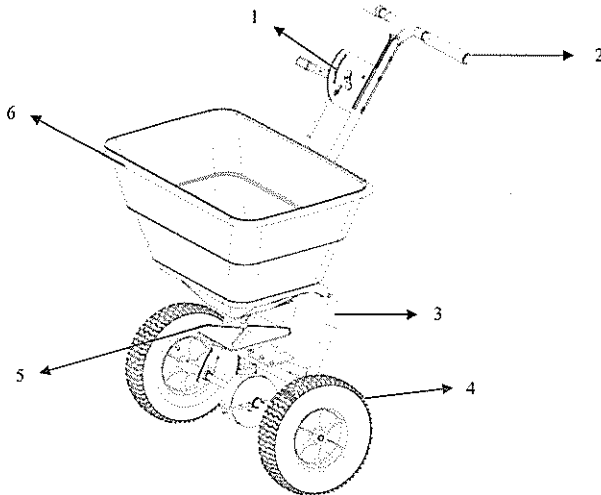
This push spreader is designed to spread a wide range of materials (Fertilizer, Grass Seed and Ice melt). Materials such as Powders, Manure, Top Soil, Gravel, and Mulch have the wrong physical characteristics and should not be used with this spreader. Never exceed the rated load capacity of 32KG when operating the spreader.

Your spreader needs to be pushed at three miles per hour, which is a brisk walking speed. Slower or faster speeds will change the spread patterns. Wet spreading material will also change the spread pattern and flow rate. Clean your spreader thoroughly after each use. Wash between the shut off plate and bottom of the hopper.

Technical specifications on the push spreader are provided in the "Specifications" section of this manual.

## Controls and Features Identification

Read this owner's manual before operating the equipment. Familiarize yourself with the location and function of the controls and features. Save this manual for future reference.



- 1) **Flow Control** – Controls the flow of material being spread.
- 2) **T-Handle** – Pushes and moves the spreader easily.
- 3) **Support Leg** – Stabilizes load and spreader.
- 4) **Tires / Wheel** – Do not exceed recommended rated 25 PSI.
- 5) **Impeller** - Evenly distributes material.
- 6) **Hopper** – Do not exceed rated load capacity 32KG

### **⚠ CAUTION**

Read and follow all instructions for assembly and operation.

Failure to properly assemble this equipment could result in serious injury to the user or bystanders, or cause equipment damage.

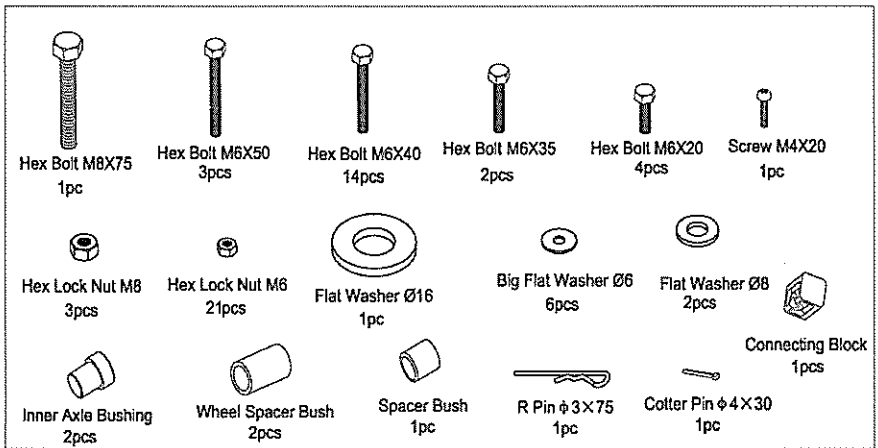
### **PUSH SPREADER COMPONENT PARTS AND ASSEMBLY**

Take all parts out of the shipping crate and inspect components to ensure there are no missing pieces before starting to assemble the push spreader follow steps 1 through 7.

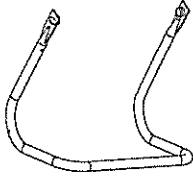
### TOOLS REQUIRED

- Rubber or Wooden Hammer
- 8mm Wrenches (2 Each)
- 6mm Wrenches (2 Each)
- Phillips Screw Driver
- Pliers

## Component Parts



## Component Parts



Hopper Assembly Tube  
1pc



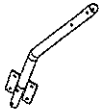
Fixing Connecting Rod  
1pc



Support Leg  
1pc



Support Tube  
1pc



Handle Connecting Tube  
1pc



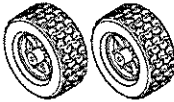
Hopper Screen  
1pc



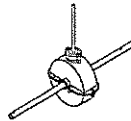
Rain Cover  
1pc



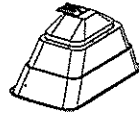
Impeller  
1pc



Wheel  
2 pcs



Gear Box & Axle  
1pc



Hopper  
1pc



Handle Tube (Left)  
1pc



Handle Tube (Right)  
1pc



Gauge & Lever Assembly  
1pc



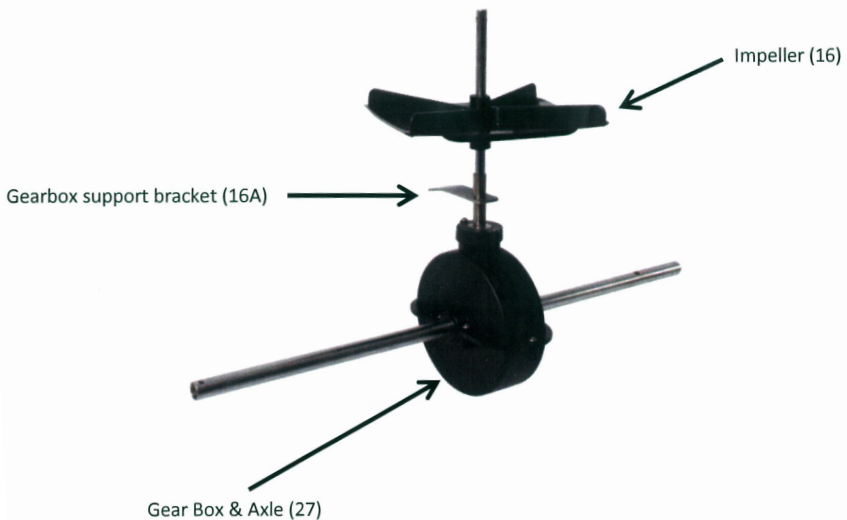
Adjustable Rod  
1pc



Attention: **USE IN REPLACEMENT OF STEP 1**

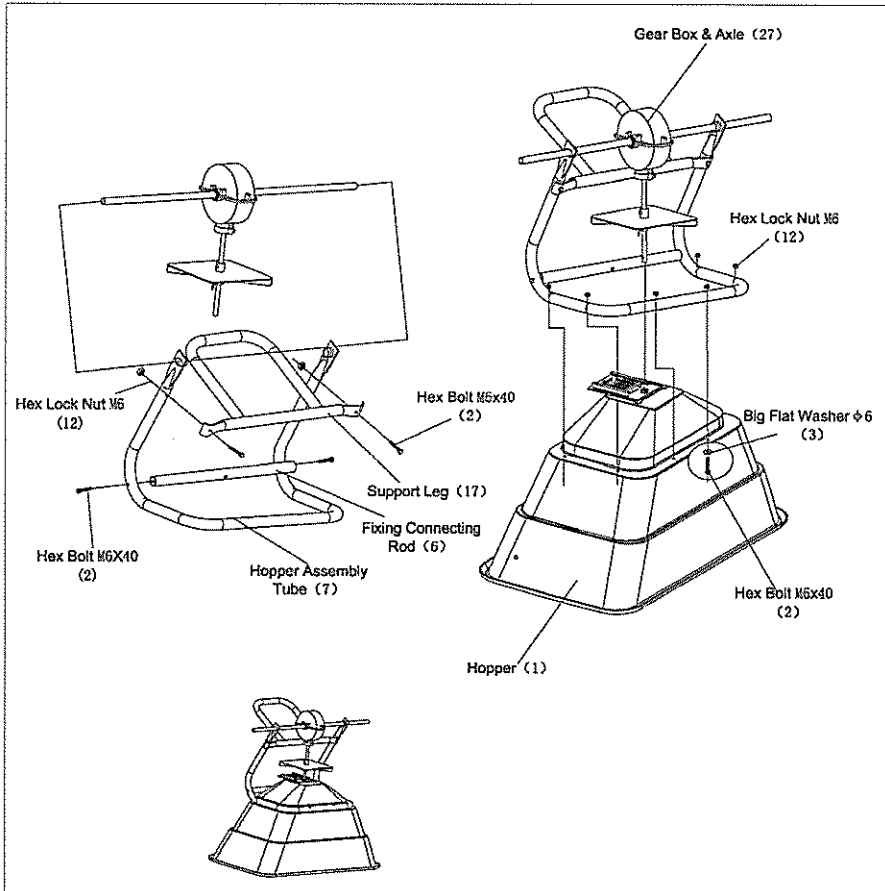
Assembly Instructions

**Step 1A:** Slide gearbox support bracket (16A) onto Gear Box & Axle assembly (27). Install impeller (16) onto Gear Box & Axle assembly (27). Insert screw m4x20 through impeller then through Gear Box Axle.

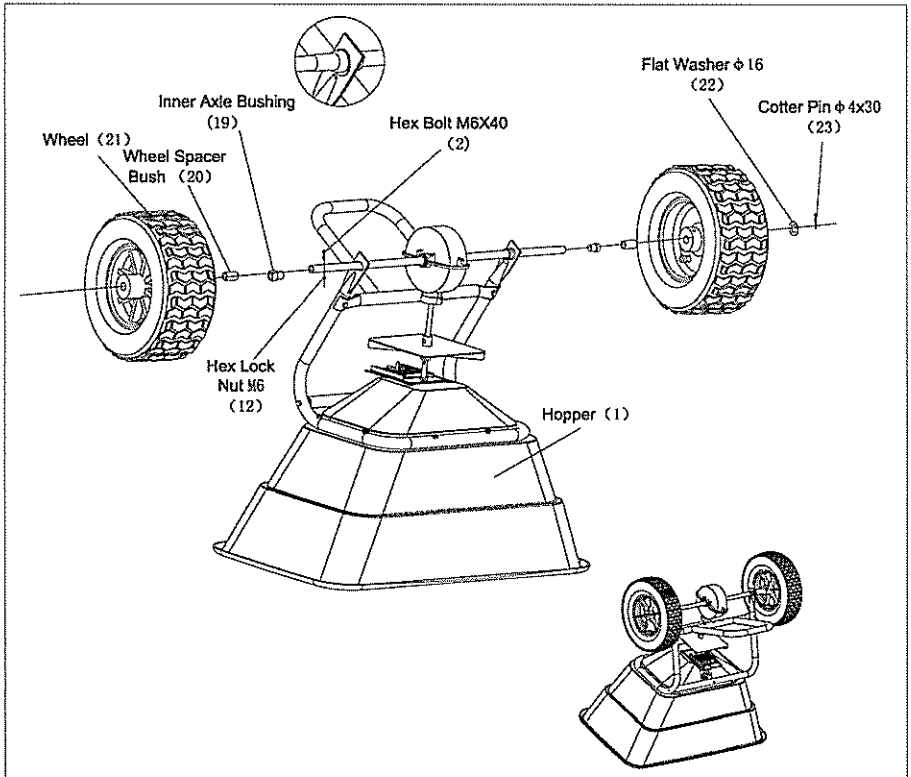




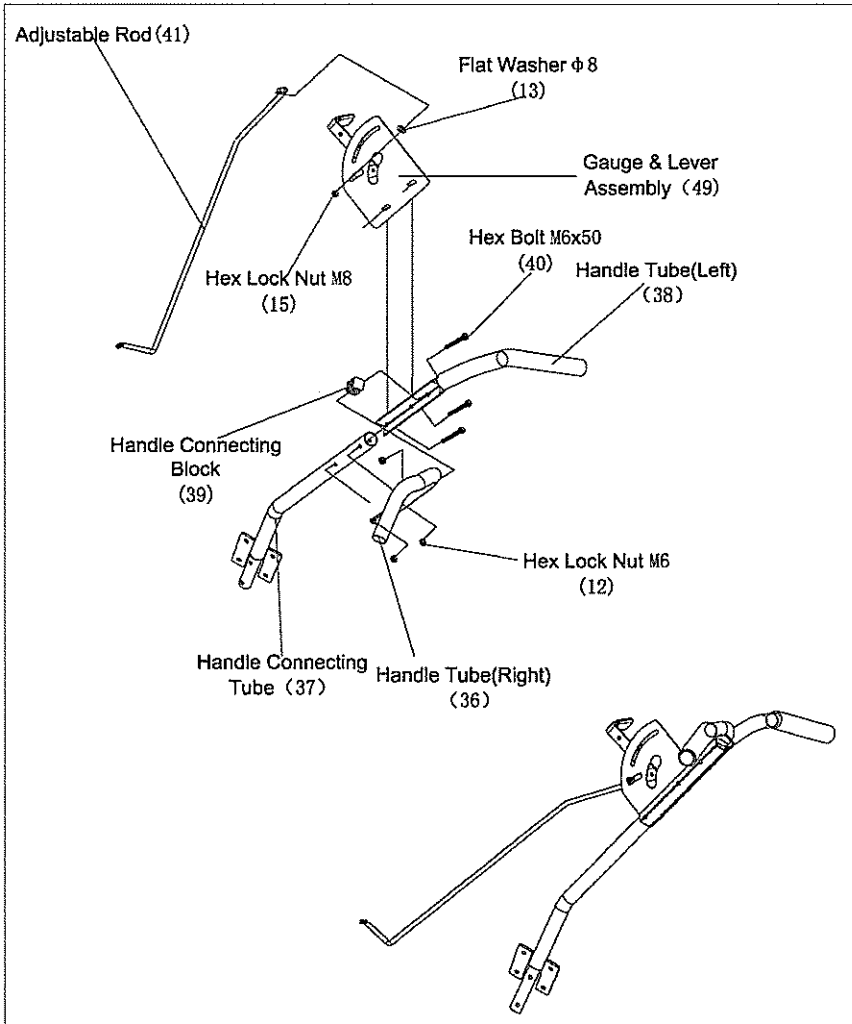
**STEP 2:** Attach the Hopper Assembly Tube (7) on each side of the Gear Box Axle (27) and Fixing Connecting Rod (6), insert Hex Bolt M6x40 (2) into the Fixing Connecting Rod (6) through Hopper Assembly Tube (7). Make sure the hole on Axle of Gear Box (27) is on the right side when assembly as shown. Attach Hopper Assembly Tube (7) and Support Leg (17) onto Hopper (1) by using Hex Bolt M6x40 (2), Hex Lock Nut M6 (12) and Big Flat Washers Ø6 (3). Note: The bolts and nuts needn't be tightened yet.



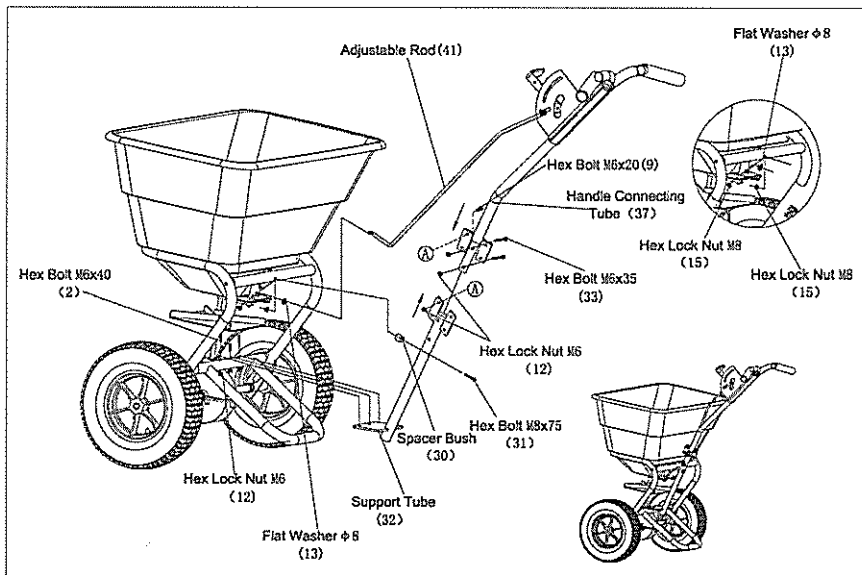
**STEP 3:** Install Left Wheel Assembly (21), Wheel Spacer Bush (20) and Inner Axle Bushing (19) to Left Axle by using Hex Bolt M6x40 (2) and Hex Lock Nut M6 (12), Now install Right Wheel Assembly (21) to Right Axle, and then secure with Flat Washer  $\phi$ 16 (22) and Cotter Pin  $\phi$ 4x30 (23).



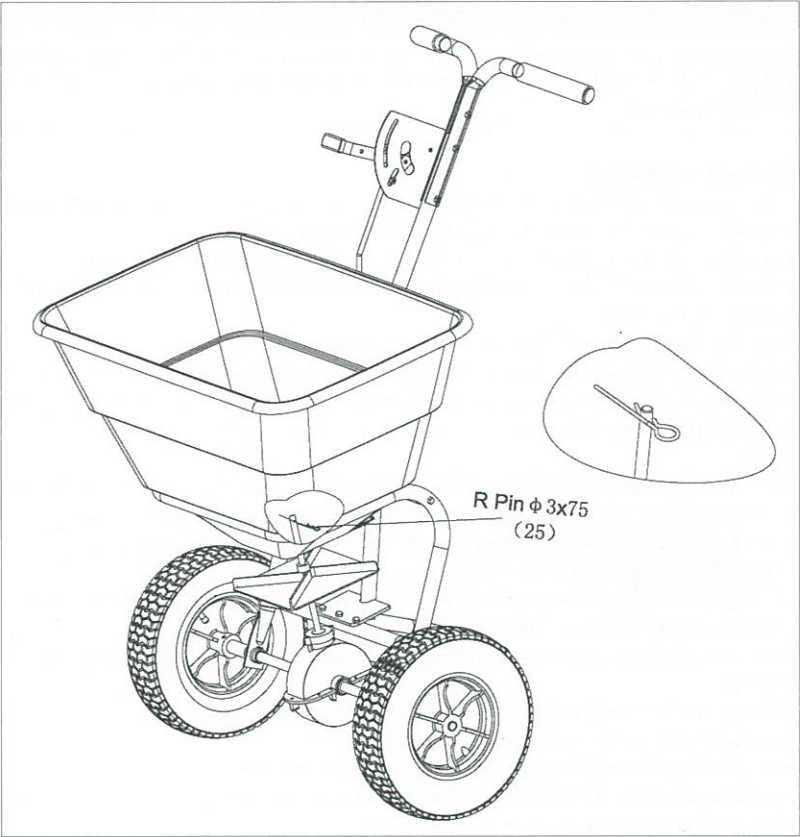
**STEP 4:** Attach the Handle Tube (Left) (38), Handle Connecting Block (39) and Handle Tube (Right) (36) to the Handle Connecting Tube by using Hex Bolt M6x50 (40) and Hex Nut M6 (12). Attach the Gauge & Lever Assembly (49) to the Handle Assembly using Hex Bolt M6x50 (40), Hex Nut M6 (12) and Big Flat Washer  $\varnothing 8$  (3). Then Attach the Adjustable Rod (41) to the Gauge & Lever Assembly (49) by using Flat Washer  $\varnothing 8$  (13), Hex Lock Nut M8 (15).



**STEP 5:** Attach one side of Adjustable Rod (41) to the Connecting Fixed Plate by using Flat Washer  $\varnothing 8$  (13) and Hex Lock Nut M8 (15). And Attach the other side of Adjustable Rod (41) to the bottom of Hopper by using Hex Bolt M8x75 (31), Hex Lock Nut M8 (15) and Spacer Bush (30). Insert the Handle Connect Tube to the Support tube (32) by using Hex Bolt M6x35 (33), Hex Bolt M6x20 (9) and Hex Lock Nut M6 (12). Attach the Handle Assembly to the Hopper Assembly Tube by using Hex Bolt M6x40 (2) and Hex Lock Nut M6 (12). **NOW GO BACK AND TIGHTEN ALL NUTS AND BOLTS STARTING WITH FIRST STEP. DO NOT OVER TIGHTEN.**



**STEP 6:** Insert the R Pin Ø3x75 (25) into the Gear Box Assembly, Secure the Hopper and Gear Box Assembly.



## Operation Instructions

### WARNING

Before using the push spreader, review the instructions below and safety information before operating. Failure to follow these instructions may result in property damage or injury to the operator or bystanders.

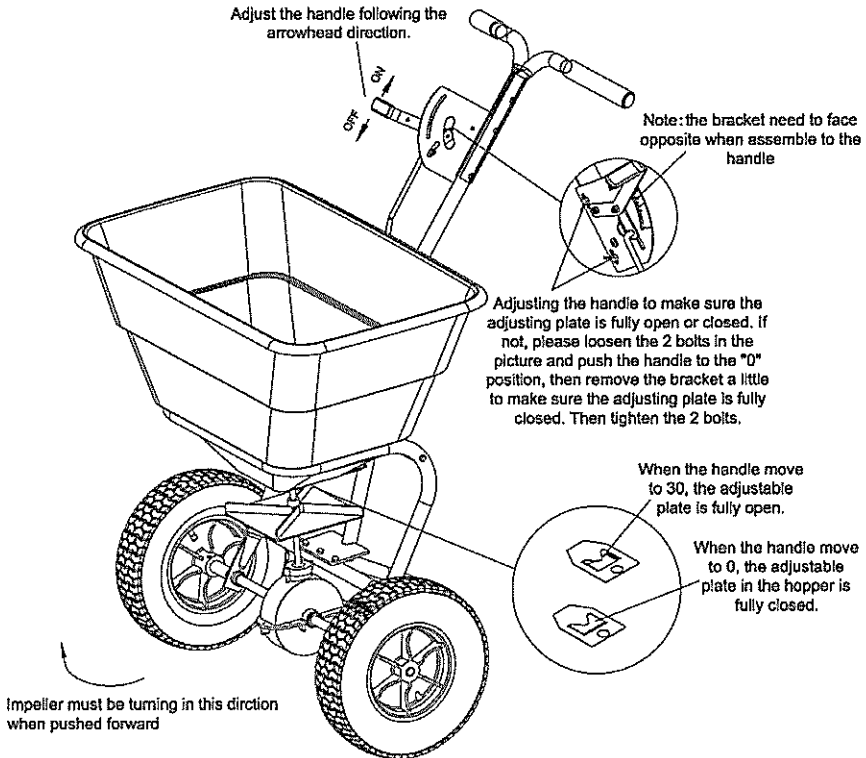
#### USING YOUR SPREADER

1. Inspect your spreader before each use. Make sure the wheels turn easily, and the gearbox moves when the spreader is pushed. The hopper should be clean and free from cracks.
2. Spreader is designed to spread a range of materials (Fertilizer, Grass Seed and Ice melt). Materials such as Powder, Manure, Top Soil, Gravel, and Mulch have the wrong physical characteristics and should not be used with your spreader.
3. Do not use spreader on windy days when spreading grass seed or herbicides.
4. Determine approximate square footage of the area to be covered and estimate amount of material required. Please refer to fertilizer manufacturer's recommendation. Break up any lumpy fertilizer as you fill the hopper.
5. Before filling the hopper, make sure that the flow control lever is in the "0" position and the flow control plate is closed.
6. Set the adjustable stop with the flow control lever always in the "0" position. Every time you are ready to stop or turn back, close the flow control plate to stop dispersing the material and continue one more stride. This reduces waste and avoids damaging the lawn with oversaturated product coverage.
7. Follow fertilizer manufacturer's recommended coverage rate for each product.
8. To maintain the same coverage when walking at a different speed, adjust the flow rate. Reduce the flow setting for slower speeds and increase the flow setting for higher speeds.
9. Keep the impeller plate horizontal when operating the spreader. Tilting the spreader will result in uneven coverage.
10. Make sure the R pin is installed in the hopper before starting the spreader.
11. Always start walking prior to opening the closure plate.
12. Always close the flow control plate before turning or stopping the spreader.
13. If spreading material is accidentally deposited too heavily in a small area, soak the area thoroughly with a garden hose or sprinkler to prevent burning of the lawn.
14. To insure consistent coverage, make sure each broadcast pattern slightly overlaps the previous broadcast pattern.
15. When broadcasting spreading material, make sure the broadcast pattern does not hit evergreen trees, flowers or shrubs.
16. Do not over apply spreading material. Follow the recommended coverage rate for each product. Over application will lead to lawn damage and contamination.

# Operation Instructions

## ADJUSTING FLOW CONTROL

1. You can move up the handle to adjust the spreader setting by following the direction of the arrowhead. When then handle moves up to "30", the adjustable plate is fully open, when it goes to "0", it's fully closed.
2. Loosen the wing nut on the Bracket and move the adjustment lever handle up or down depending on the amount of material required. Pushing the handle down will release more material and pulling the handle up will stop the flow entirely.
3. Tighten the wing nut when the desired position is reached.



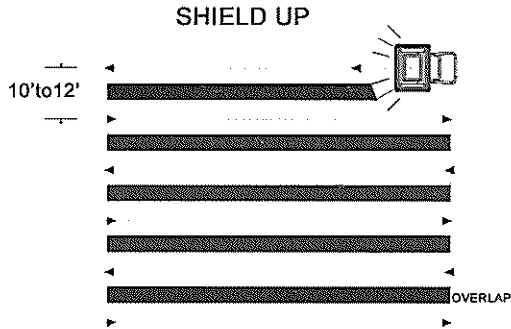
**⚠ CAUTION**

The spreader settings are guidelines only. The spreader should be calibrated prior to application to ensure accuracy.

The spreader settings are based on a walking speed of 3 MPH. Walking faster or slower will alter the spread application rate. Exact rates depend upon the spreader itself and the accuracy of the person operating it.

**CONSISTENT COVERAGE**

To insure consistent coverage, make sure each broadcast pattern slightly overlaps the previous broadcast pattern as shown in figure below. The approximate broadcast widths for different materials are shown in the application chart.



**⚠ WARNING**

Do not over apply spreading material. Follow the recommended coverage rate for each product. Over application will lead to damage and contamination. If spreading material accidentally hits or deposits to heavily, soak the area thoroughly with a garden hose or sprinkler to prevent burning.



## Spreading Instructions

### CALCULATING AMOUNT OF MATERIAL NEEDED

To calculate the amount of fertilizer you will need to cover your lawn, divide the coverage amount listed on the label by the weight of the fertilizer bag. For example a 10LB. bag of fertilizer with coverage of 10,000 square feet will distribute 1LB. of fertilizer every 1,000 square feet at full rate or 1/2LB. of fertilizer every 1,000 square feet at half rate. For pre-calculated rates see **Chart A** (Example: 25LB. bag with 15,000 sq. ft. coverage = 1.7LB./1,000 sq. ft.). Use **Chart B** to find the closest spreader setting (Example: 1.7LB./1000 sq. ft. = Spreader Setting of 12).

**Chart A - Square Foot Coverage per Bag\***

Weight of Bag (LBS.)	LBS/1,000 SQ FT		
	5,000 SQ FT COVERAGE	10,000 SQ FT COVERAGE	15,000 SQ FT COVERAGE
5	1.0 LB.	0.5 LB.	0.3 LB.
10	2.0 LB.	1.0 LB.	0.7 LB.
15	3.0 LB.	1.5 LB.	1.0 LB.
20	4.0 LB.	2.0 LB.	1.3 LB.
25	5.0 LB.	2.5 LB.	1.7 LB.
30	6.0 LB.	3.0 LB.	2.0 LB.
35	7.0 LB.	3.5 LB.	2.3 LB.
40	8.0 LB.	4.0 LB.	2.7 LB.
45	9.0 LB.	4.5 LB.	3.0 LB.
50	10.0 LB.	5.0 LB.	3.3 LB.

\*These are only estimate actual amounts may vary.

**Chart B - Spreader Settings/Spread Widths**

MULTI-USAGES	LBS/1,000 SQ FT	SPREADER SETTING	•	•	•
			SMALL PARTICLE SPREAD	MEDIUM PARTICLE SPREAD	LARGE PARTICLE SPREAD
FERTILIZER	1	10	5-6 FT.	6-9 FT.	9-12 FT.
	2	12	5-6 FT.	6-9 FT.	9-12 FT.
	3	14	5-6 FT.	6-9 FT.	9-12 FT.
GRASS	4	15	5-6 FT.	6-9 FT.	9-12 FT.
	5	17	5-6 FT.	6-9 FT.	9-12 FT.
SEEDS	6	18	5-6 FT.	6-9 FT.	9-12 FT.
	7	20	5-6 FT.	6-9 FT.	9-12 FT.
ICEMELT	8	21	5-6 FT.	6-9 FT.	9-12 FT.
	9	23	5-6 FT.	6-9 FT.	9-12 FT.
	10	25	5-6 FT.	6-9 FT.	9-12 FT.

**NOTE: DO NOT USE SALT.** Using salt in this spreader will damage the mechanism and shorten the life of the machine.

## Maintenance and Storage



### WARNING

Improper maintenance and storage of the push spreader may void your warranty.

### MAINTENANCE

- After each use clean material out of hopper.
- Rinse/dry inside and outside of the spreader after each use.
- Before operating make sure the tires have the RECOMMENDED TIRE PRESSURE 25 PSI.
- Periodically check all fasteners for tightness.
- Annually clean and lightly lubricate parts.
- Use a glossy enamel spray paint to touch up scratched or worn painted metal surfaces.
- Never exceed load capacity rating of 32KG it will damage the spreader.

#### IMPORTANT:

If a part needs replacement, only use parts that meet the manufacturer's specifications.

Replacement parts that do not meet specifications may result in a safety hazard or poor operations.

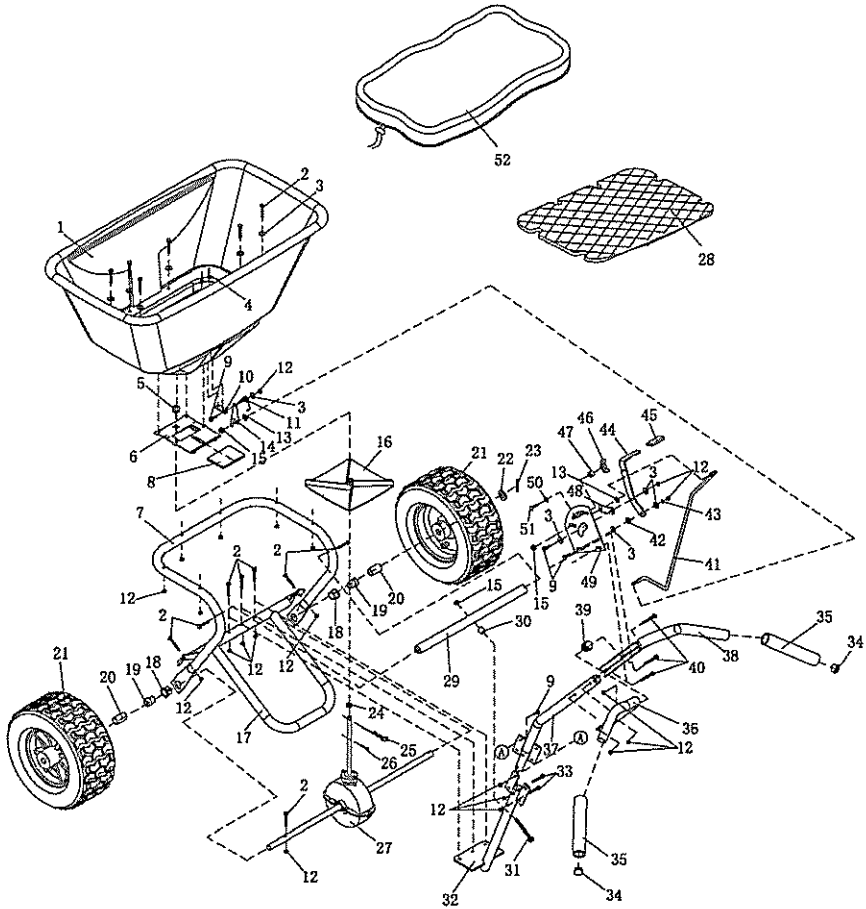
### STORAGE

- Never allow material to remain in the hopper for extended periods of time.
- Before storing make sure the spreader is clean and dry for years of trouble free service.
- Store indoors or protected area during severe weather and winter months.

## Specifications

Load Capacity.....	32KG
Spreader Type .....	Broadcast
Hopper Material .....	Polypropylene
Hopper Dimensions .....	9x 6.8" x 5.5cm
Overall Dimensions.....	19 x11.6x15.2cm
Wheel size .....	4.5cm
Unit Weight.....	11.8KG

# Parts Drawing & Parts List



## Parts Drawing & Parts List

Ref#	Description	Qty	Ref#	Description	Qty
1	Hopper	1	27	Gear Box	1
2	Hex Bolt M6x40	14	28	Hopper Screen	1
3	Big Flat Washer Ø6	11	29	Fixing Connecting Rod	1
4	Rivet Ø5x8	2	30	Spacer Bush	1
5	Swivel Axle Sleeve	1	31	Hex Bolt M8x75	1
6	Fixed Adjustable Plate	1	32	Support Tube	1
7	Hopper Assembly Tube	1	33	Hex Bolt M6x35	2
8	Active Adjustable Plate	1	34	End Cap	2
9	Hex Bolt M6x20	7	35	Handle Grip	2
10	Torsional Spring Base	1	36	Handle Tube(right)	1
11	Torsional Spring	1	37	Handle Connecting Tube	1
12	Hex Lock Nut M6	24	38	Handle Tube(Left)	1
13	Flat Washer Ø8	2	39	Handle Connecting Block	1
14	Connecting Fixed Plate	1	40	Hex Bolt M6x50	3
15	Hex Lock Nut M8	3	41	Adjustable Rod	1
16	Impeller	1	42	Nylon Washer	1
17	Support Leg	1	43	Lock Washer Ø6	1
18	Outer Axle Bushing	2	44	Adjustable Handle	1
19	Inner Axle Bushing	2	45	Adjustable Handle Grip	1
20	Wheel Spacer Bush	2	46	Wing Nut M6	1
21	Pneumatic Wheel	2	47	Spacer	1
22	Flat Washer Ø16	1	48	Connecting Plate	1
23	Cotter Pin Ø4x30	1	49	Gauge and Lever Assembly	1
24	Thin Washer	1	50	External Teeth Lock WasherØ8	1
25	R Pin Ø3x75	1	51	Round Head Bolt M6x25	1
26	Screw M4x20	1	52	Rain Cover	1